

STANDS & MODULAR MOUNTING BRACKETS & ADAPTER PLATES

SECTION 6



Your complete source for industrial automation and electronics

METO-FER USA

www.meto-fer.com

1-888-638-6337

Stands and Modular Mounting Brackets and Adapter Plates



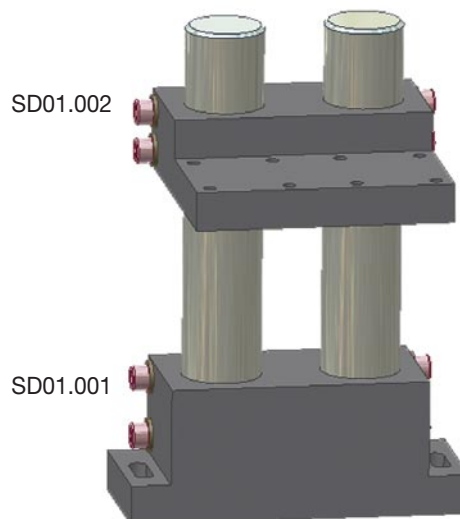
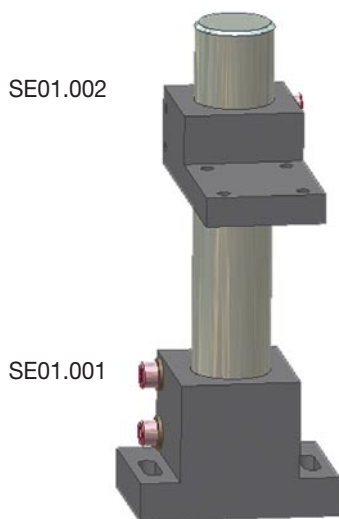
To achieve peak operation of precise, dynamic handling systems, a robust, vibration resistant supporting structure is essential. Only with such a structure is it possible to exploit the high repeat accuracies and speeds of the individual elements.

Our ground, chromium plated single and double columns allow precise, simple clamping and adjustment of mounting plates and transverse connectors. Through the use of these standard modular components, a wide range of mounting arrangements can be easily configured.

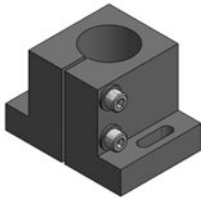
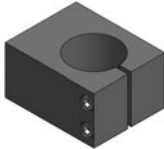

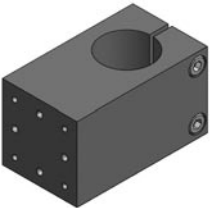
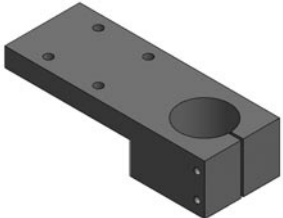
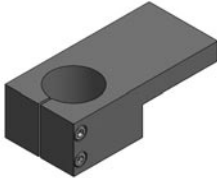



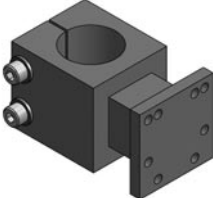
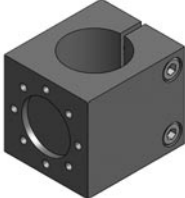
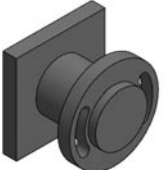
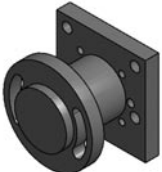


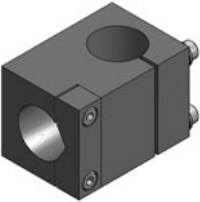
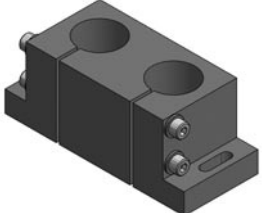

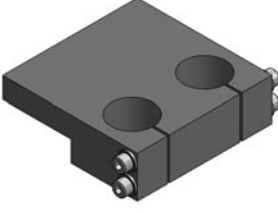

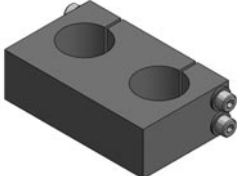


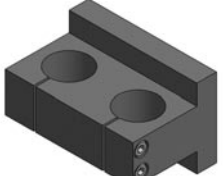
Product features:

- Chrome-Plated Shafting, diameter 40 mm
- Standard Lengths or custom lengths available
- Simple, Precise and Secure
- Easy height adjustment
- No need to design; use standard modular assembly blocks
- Precision components
- Grey anodized mounting blocks
Order 20 pc. or more choose your color; black, red, green, blue, purple, or gold)

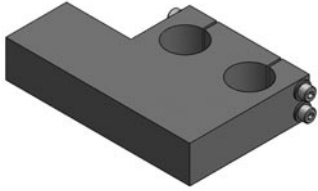
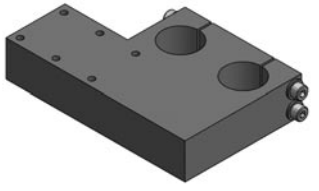
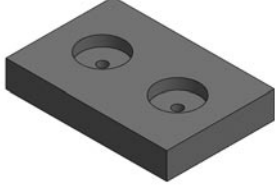
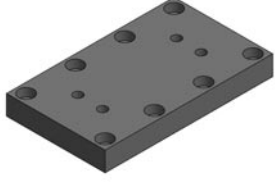

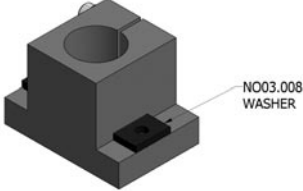
Application:



Stands & Modular Mounting Brackets & Adapter Plates

<p>SE01.001</p> 	<p>SE01.017</p> 	<p>SE01.007</p> 	<p>SE01.060</p> 
<p>SE01.027</p> 	<p>SE01.008</p> 	<p>SE01.014</p> 	<p>SE01.023</p> 
<p>SE01.024</p> 	<p>SE01.010</p> 	<p>SE01.018</p> 	<p>SE01.055</p> 
<p>SE01.054</p> 	<p>SE01.019</p> 	<p>SE01.003</p> 	<p>SE01.030</p> 
<p>SD01.001</p> 	<p>SD01.005</p> 	<p>SD01.003</p> 	<p>SD01.002</p> 
<p>SD01.006</p> 	<p>SD01.004</p> 	<p>SD01.013</p> 	<p>SD01.032</p> 

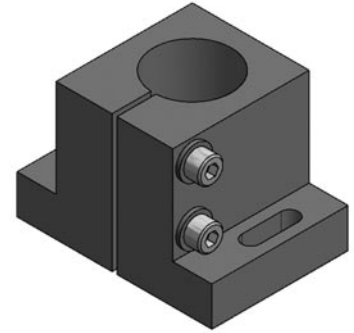
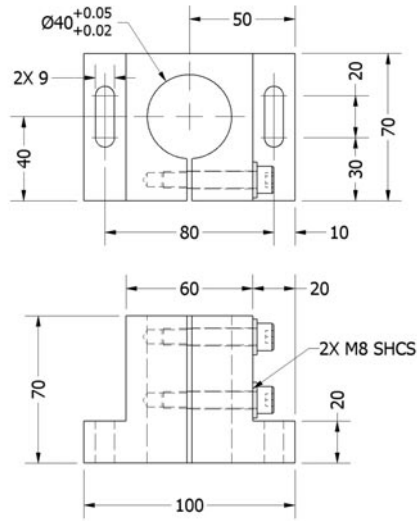
Stands & Modular Mounting Brackets & Adapter Plates

SD01.008	SD01.009	SD01.012	SD01.016
			
SE40.300		N003.008	
			

Stands and Modular Mounting Brackets

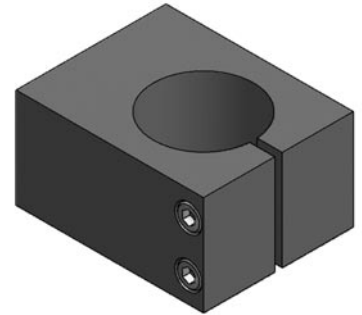
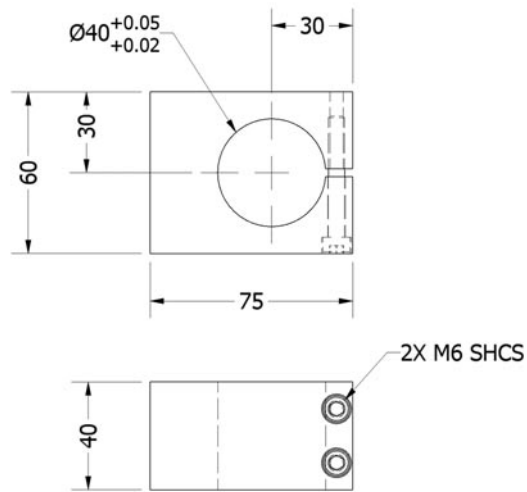
Stand Base

Order Number	Dimension
SE 01.001	100 X 70 mm



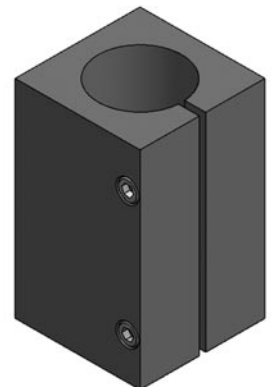
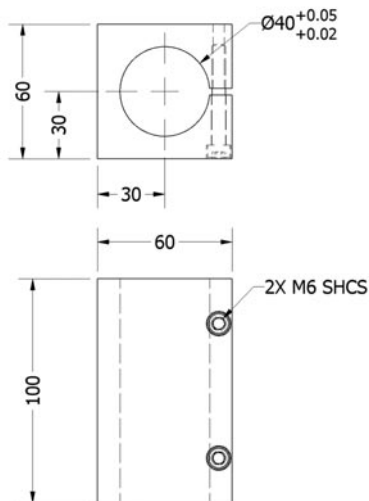
Mounting Bracket

Order Number	Dimension
SE 01.017	75 x 60 mm



Mounting Bracket

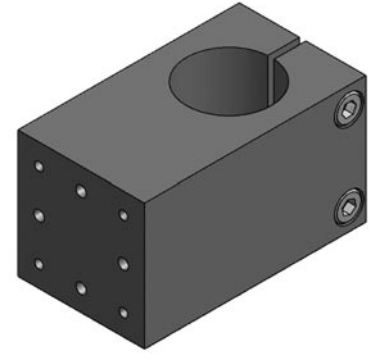
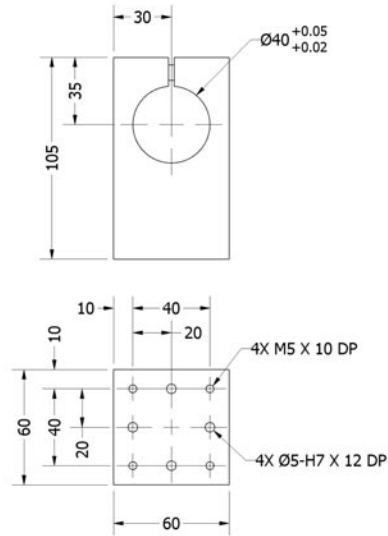
Order Number	Dimension
SE 01.007	60 x 60 mm



Stands and Modular Mounting Brackets

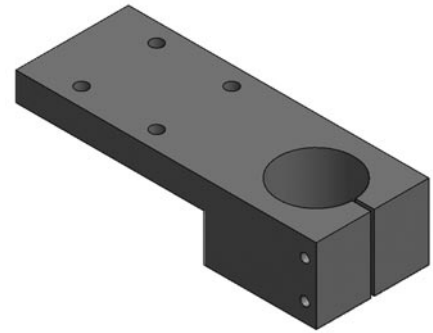
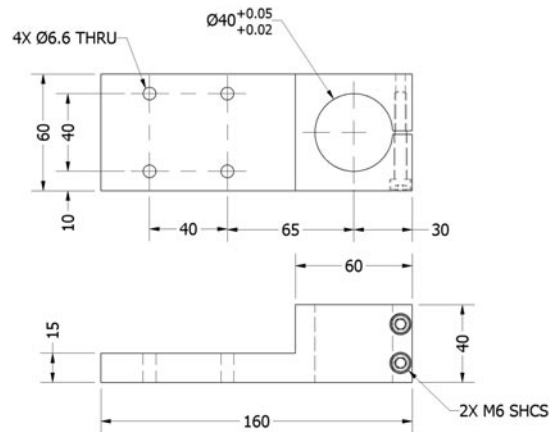
Mounting Bracket

Order Number	Dimension
SE 01.060	105 x 60 mm



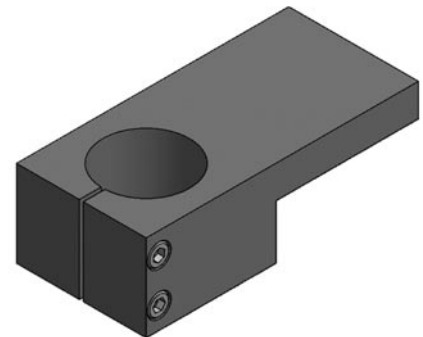
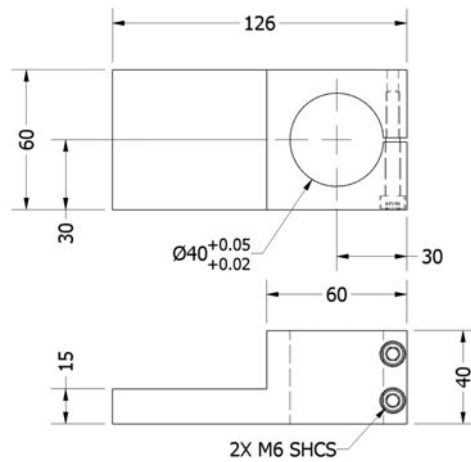
Mounting Bracket for ML 26

Order Number	Dimension
SE 01.027	160 x 60 mm



Mounting Bracket

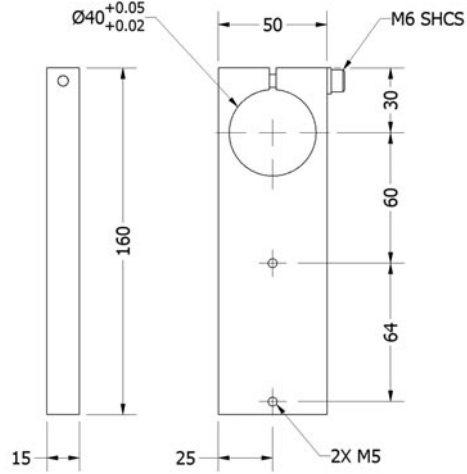
Order Number	Dimension
SE 01.008	126 x 60 mm



Stands and Modular Mounting Brackets

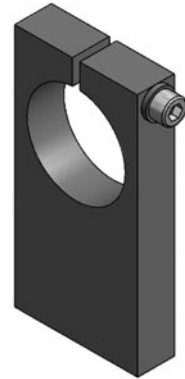
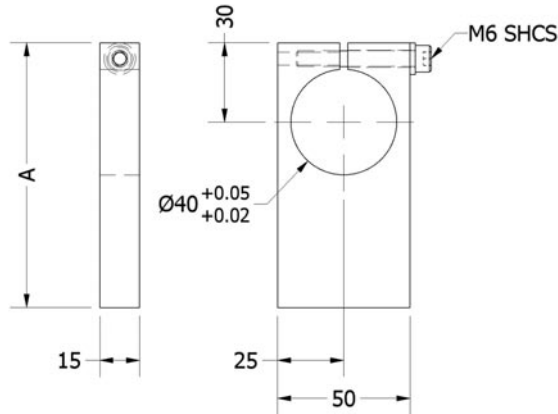
Mounting Plate for KOB50

Order Number	Dimension
SE 01.014	160 x 50 mm



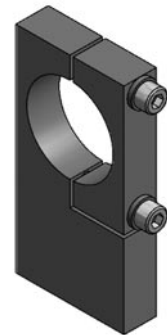
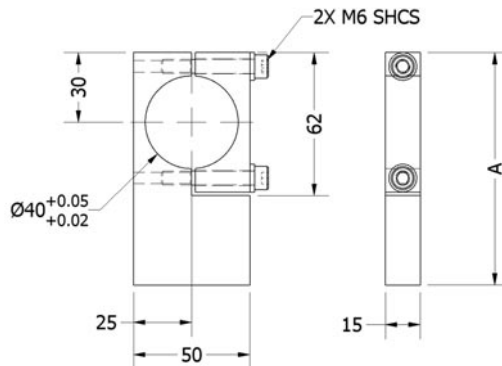
Mounting Plate

Order Number	Dimension A
SE 01.023	100 mm
SE 01.022	160 mm
SE 01.021	200 mm
SE 01.020	250 mm
SE 01.012	278 mm



Mounting Plate

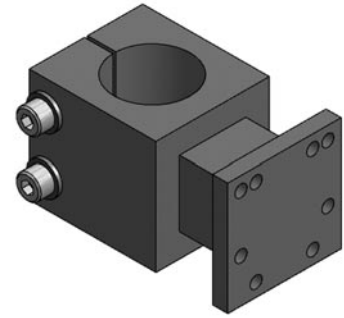
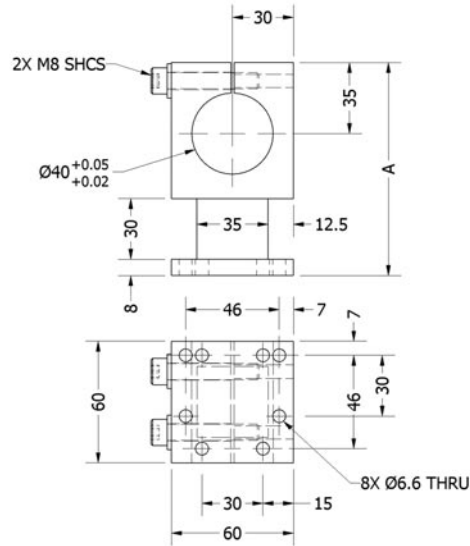
Order Number	Dimension A
SE 01.024	100 mm
SE 01.025	160 mm
SE 01.026	200 mm



Stands and Modular Mounting Brackets

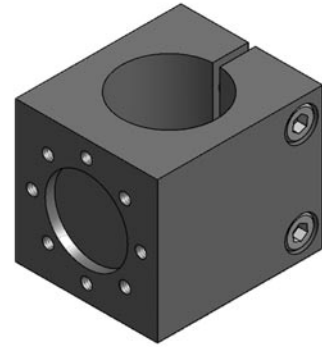
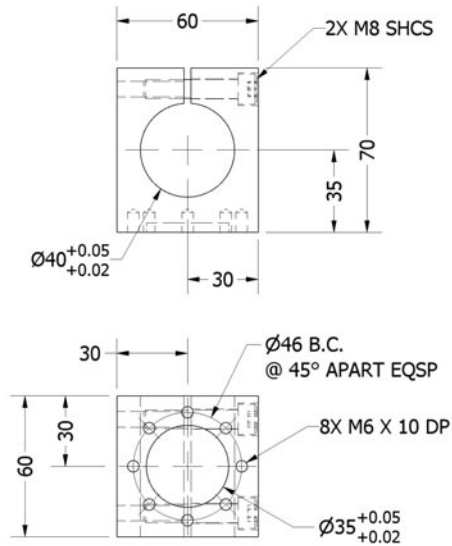
Mounting Bracket for VE

Order Number	Dimension A
SE 01.010	105 mm
SE 01.016	180 mm



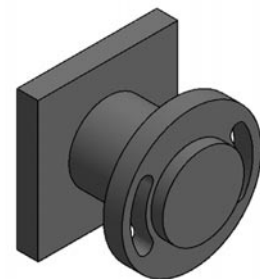
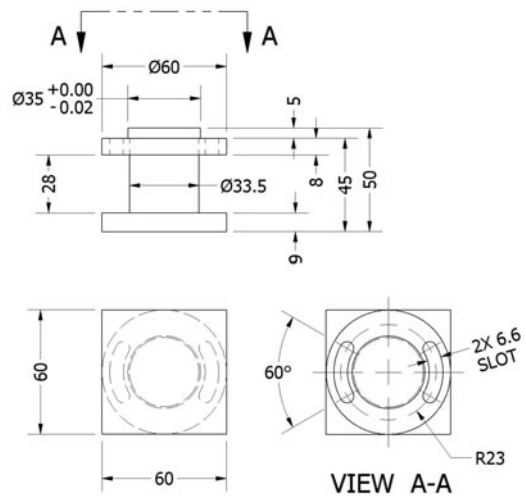
Support Block

Order Number	Dimension
SE 01.018	70 X 60 mm



Mounting Bracket

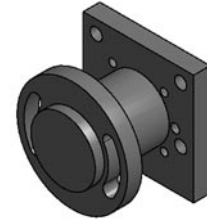
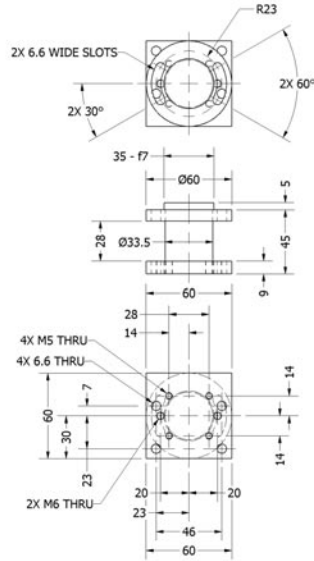
Order Number	Dimension
SE 01.055	50 x 60 mm



Stands and Modular Mounting Brackets

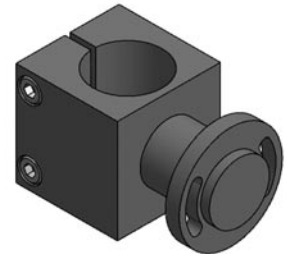
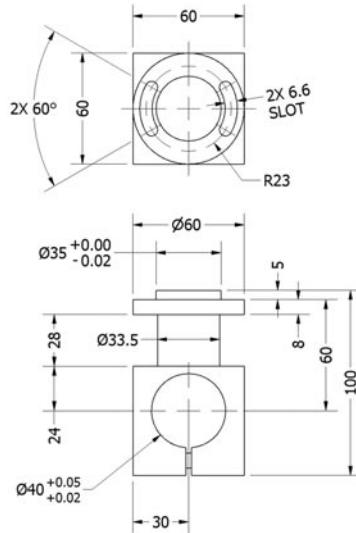
Mounting Bracket

Order Number	Dimension
SE 01.054	50 X 60 mm



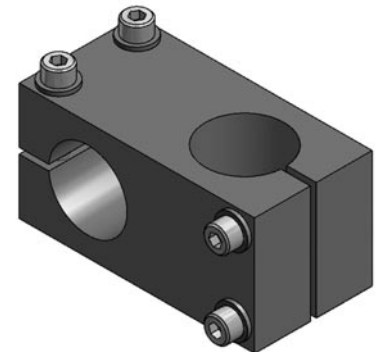
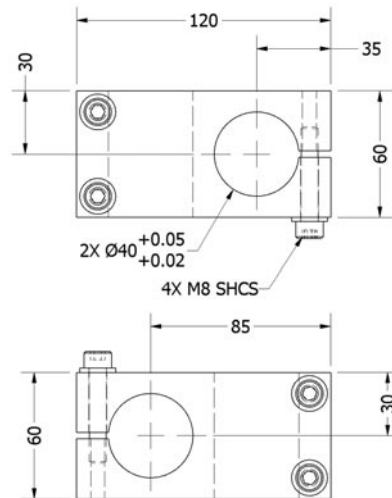
Mounting Bracket

Order Number	Dimension
SE 01.019	100 x 60 mm



Mounting Bracket

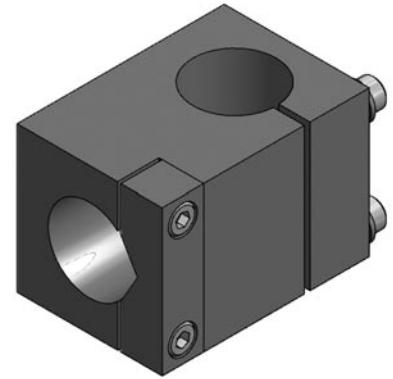
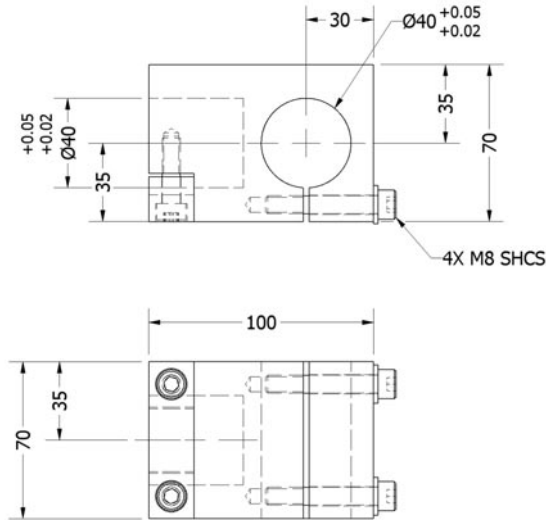
Order Number	Dimension
SE 01.003	120 X 60 mm



Stands and Modular Mounting Brackets

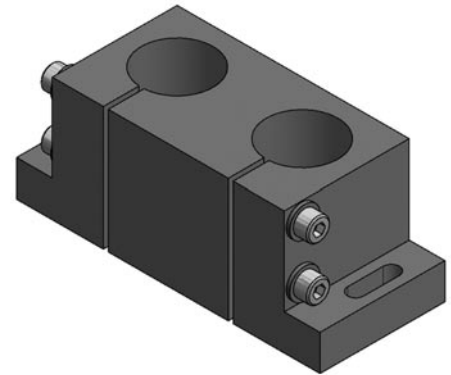
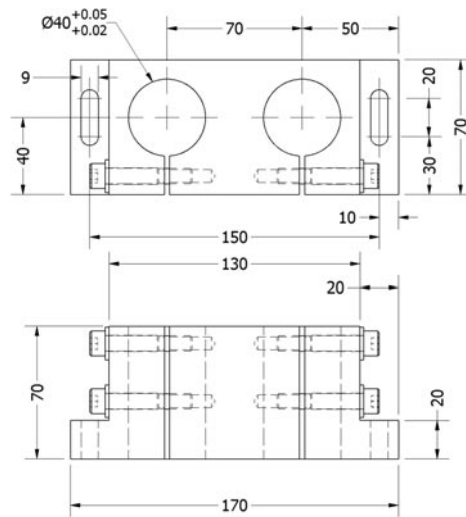
Mounting Bracket

Order Number	Dimension
SE 01.030	160 X 70 mm



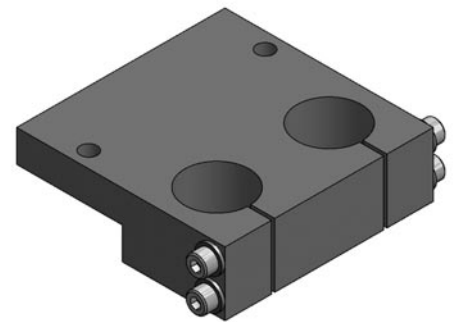
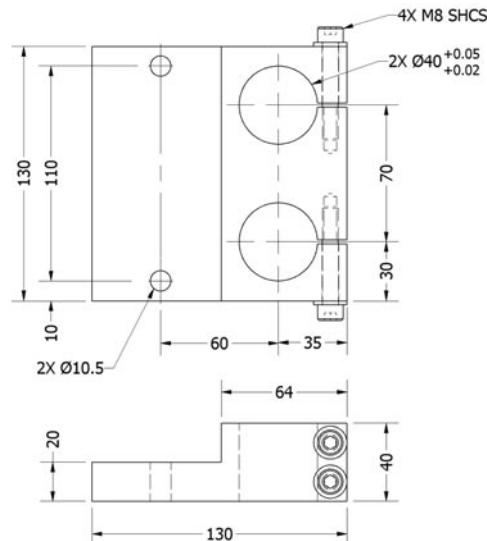
Stand Base

Order Number	Dimension
SD 01.001	170 x 70 mm



Mounting Plate for Angle Loader

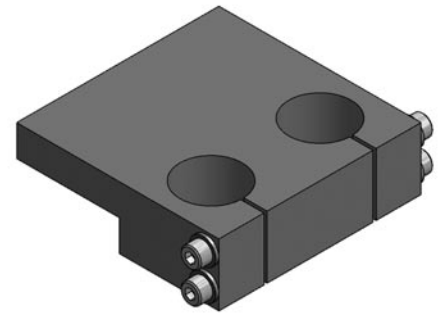
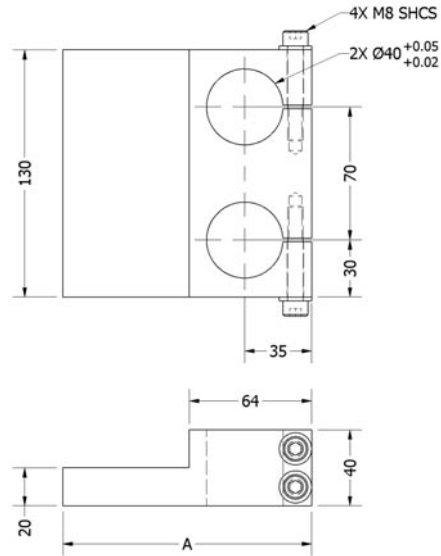
Order Number	Dimension
SD 01.005	130 x 130 mm



Stands and Modular Mounting Brackets

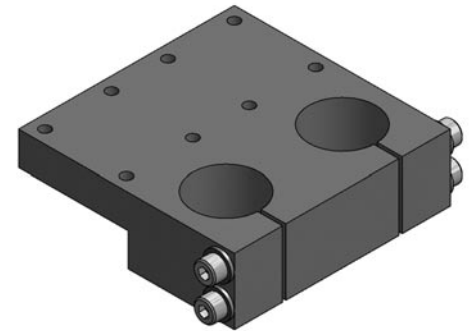
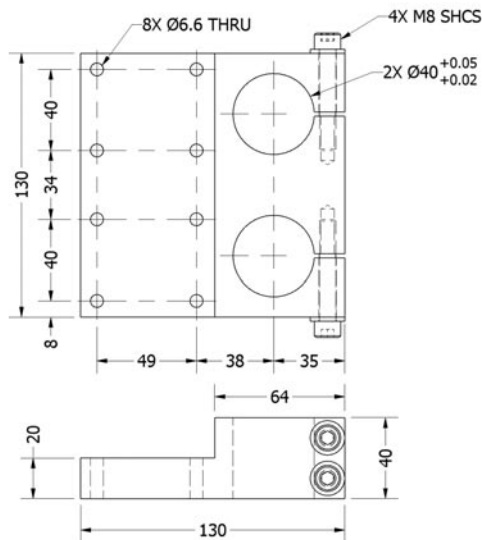
Mounting Plate

Order Number	Dimension A
SD 01.003	130 mm
SD 01.010	160 mm
SD 01.007	200 mm



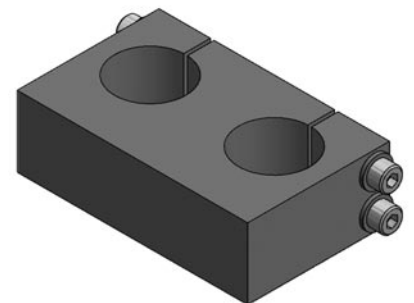
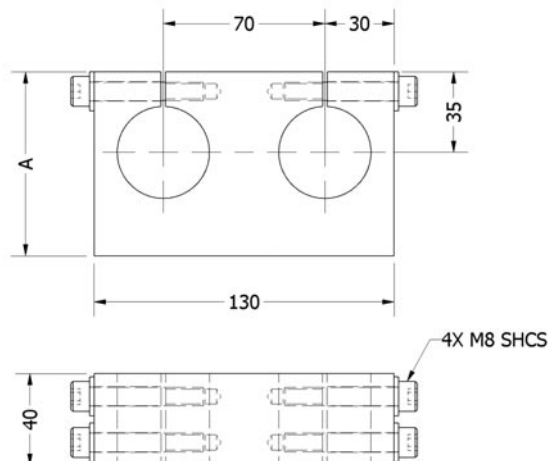
Mounting Plate for LH

Order Number	Dimension
SD 01.002	130 x 130 mm



Mounting Bracket

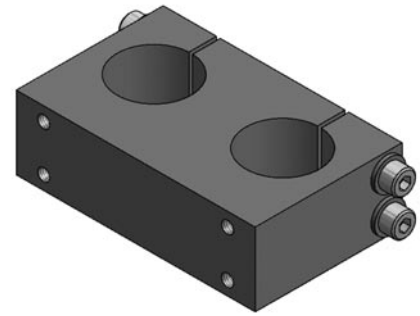
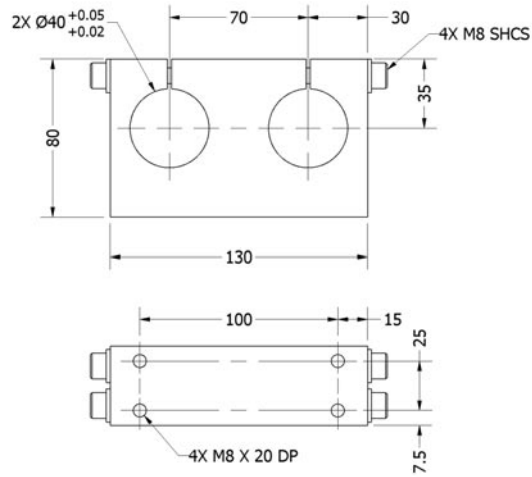
Order Number	Dimension A
SD 01.006	80 mm
SD 01.060	100 mm
SD 01.066	120 mm



Stands and Modular Mounting Brackets

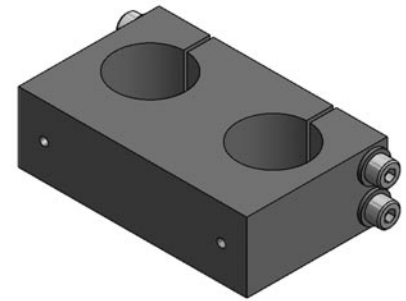
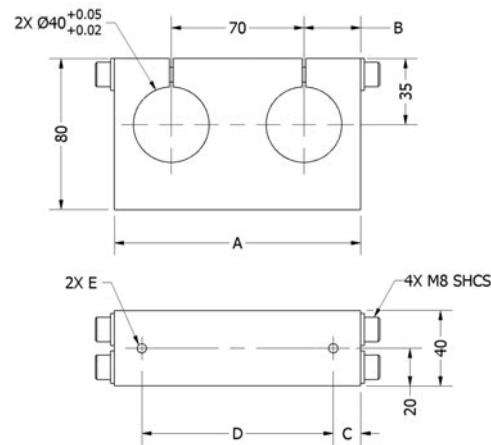
Mounting Block

Order Number	Dimension
SD 01.004	130 X 80 mm



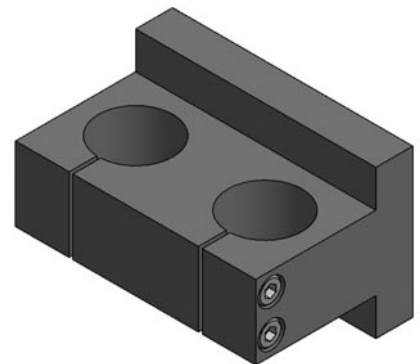
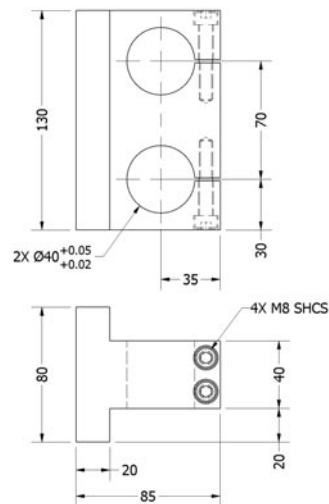
Mounting Bracket

Order Number	Dimension				
	A	B	C	D	E
SD 01.013					
NT 61	130	30	14.5	101	M6/18
SD 01.014					
NT 120	150	40	8	134	M8/20



Mounting Block

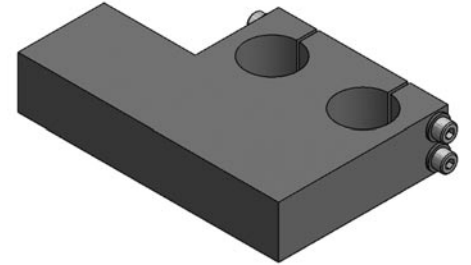
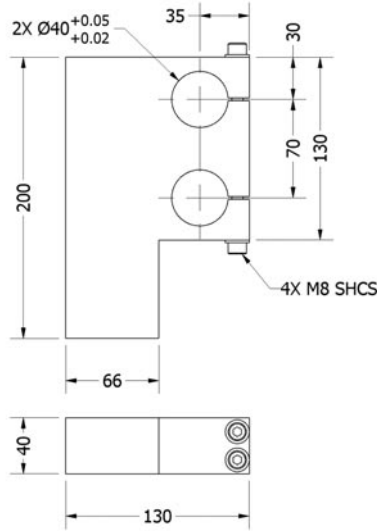
Order Number	Dimension
SD 01.032	130 x 85 mm



Stands and Modular Mounting Brackets

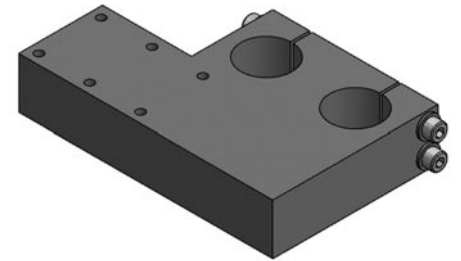
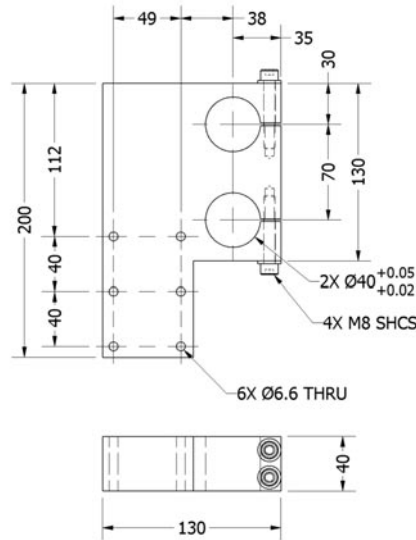
Mounting Plate

Order Number	Dimension
SD 01.008	130 x 200 mm



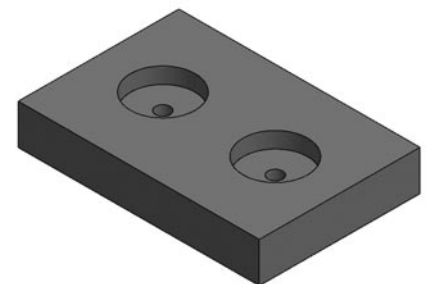
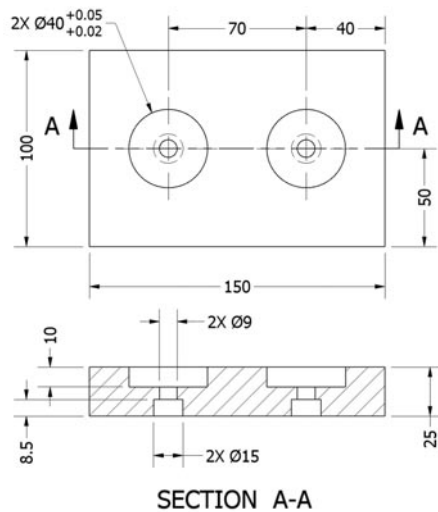
Mounting Plate / LH

Order Number	Dimension
SD 01.009	200 mm



Mounting Plate

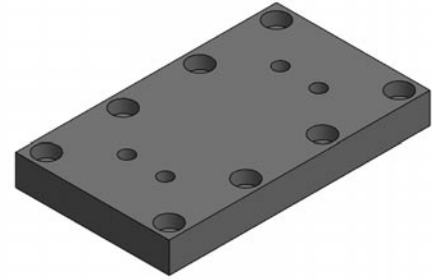
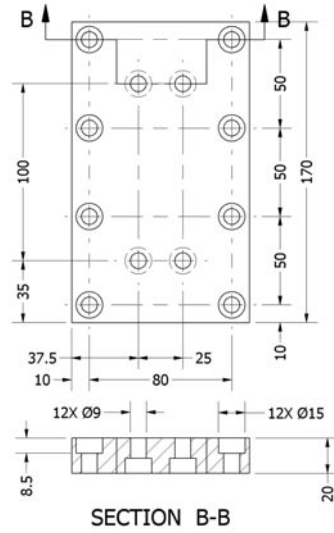
Order Number	Dimension
SD 01.012	150 x 100 mm



Stands and Modular Mounting Brackets

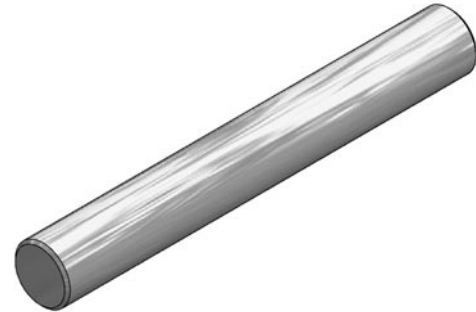
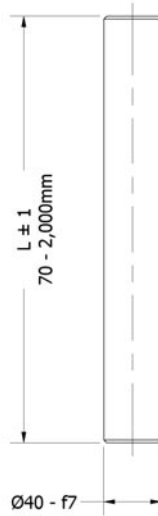
Mounting Plate / LG

Order Number	Dimension
SD 01.016	170 x 100 mm



Pillar

Order Number	Dimension
SE 40 x	any custom length



Washer

Order Number	Dimension
NO 03.008	

