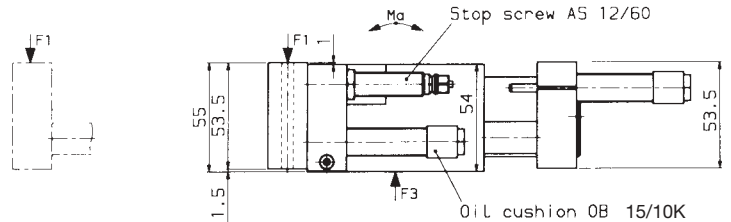
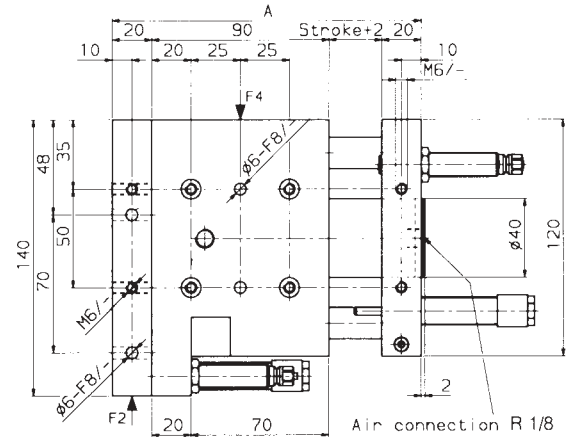
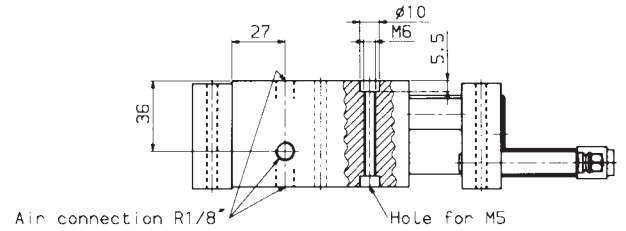
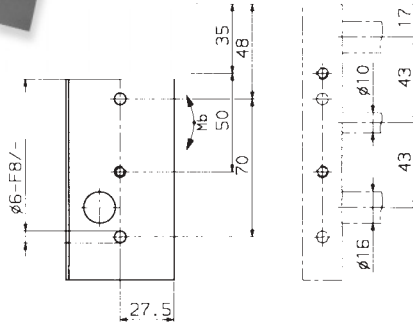
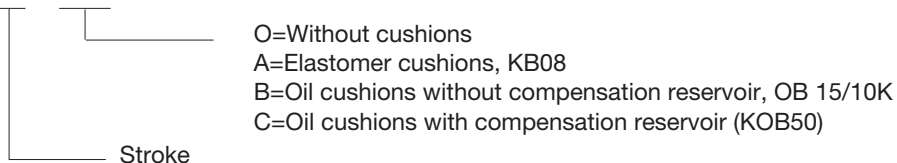


# Mini linear unit ML33



Type	Stroke (mm)	Adjusting range (mm)	A	Piston force at 72.5 psi (5 bar)	Max. load stat./dyn. lb (N)				Ma lb.in (Nm)	Mb lb.in (Nm)	Air consumption for each double stroke at 72.5 psi (5bar)	Weight lb (kg)
					F1	F2	F3	F4				
ML33-25	0-25	0-27	157	68lb (300N)	185 (823)	194 (861)	183 (814)	189 (840)	336 (38.0)	567 (64.0)	0.008scf (0.23NL)	8.9 (4.05)
ML33-50	0-50	0-52	182	68lb (300N)	112 (499)	117 (522)	221 (982)	228 (1013)	288 (32.5)	482 (54.5)	0.016scf (0.45NL)	9.4 (4.25)
ML33-75	0-75	8-77	207	68lb (300N)	77 (340)	80 (355)	195 (865)	201 (892)	252 (28.5)	420 (47.5)	0.024scf (0.67NL)	9.9 (4.50)
ML33-100	0-100	33-102	232	68lb (300N)	63 (281)	66 (295)	195 (865)	201 (892)	252 (28.5)	420 (47.5)	0.032scf (0.90NL)	10.4 (4.70)
ML33-125	0-125	58-127	257	68lb (300N)	46 (203)	48 (213)	164 (728)	169 (750)	212 (24.0)	354 (40.0)	0.039scf (1.12NL)	10.8 (4.90)
ML33-150	0-150	83-152	282	68lb (300N)	40 (178)	42 (168)	164 (728)	169 (750)	212 (24.0)	354 (40.0)	0.047scf (1.35NL)	11.4 (5.15)
ML33-175	0-175	108-177	307	68lb (300N)	33 (148)	35 (155)	153 (680)	158 (702)	199 (22.5)	332 (37.5)	0.055scf (1.57NL)	11.8 (5.35)
ML33-200	0-200	133-202	332	68lb (300N)	28 (125)	29 (131)	143 (637)	148 (657)	181 (20.5)	305 (34.5)	0.063scf (1.79NL)	12.2 (5.55)
ML33-250	0-250	183-252	382	68lb (300N)	23 (100)	24 (105)	137 (610)	141 (628)	177 (20.0)	297 (33.5)	0.078scf (2.24NL)	13.2 (6.00)
ML33-300	0-300	233-302	432	68lb (300N)	18 (79)	19 (83)	126 (561)	130 (578)	164 (18.5)	270 (30.5)	0.094scf (2.69NL)	14.1 (6.40)
ML33-350	0-350	283-352	482	68lb (300N)	15 (66)	16 (69)	120 (532)	124 (549)	155 (17.5)	261 (29.5)	0.110scf (3.14NL)	15.1 (6.85)
ML33-400	0-400	333-402	532	68lb (300N)	13 (57)	13 (59)	115 (512)	119 (528)	146 (16.5)	248 (28.0)	0.126scf (3.59NL)	16.0 (7.24)

Order No. ML 33 - . . . - . . .



**Technical data:**

- Built in stop screw with fine threads provide adjustable, stepless stroke.
- The stop screws can be fitted with patented sensing elements. (see section 8 "Stop system with plug-in sensing elements").
- End position damped with elastomer or oil cushion.
- Bearing: Linear ball bushing.
- Operating medium Compressed air oiled/ not oiled
- Operating pressure 43.5 - 116 psi (3 - 8 bar)
- Piston diameter 32mm
- Repeatability +/- 0.01mm (0.0004")
- Air connection R1/8"