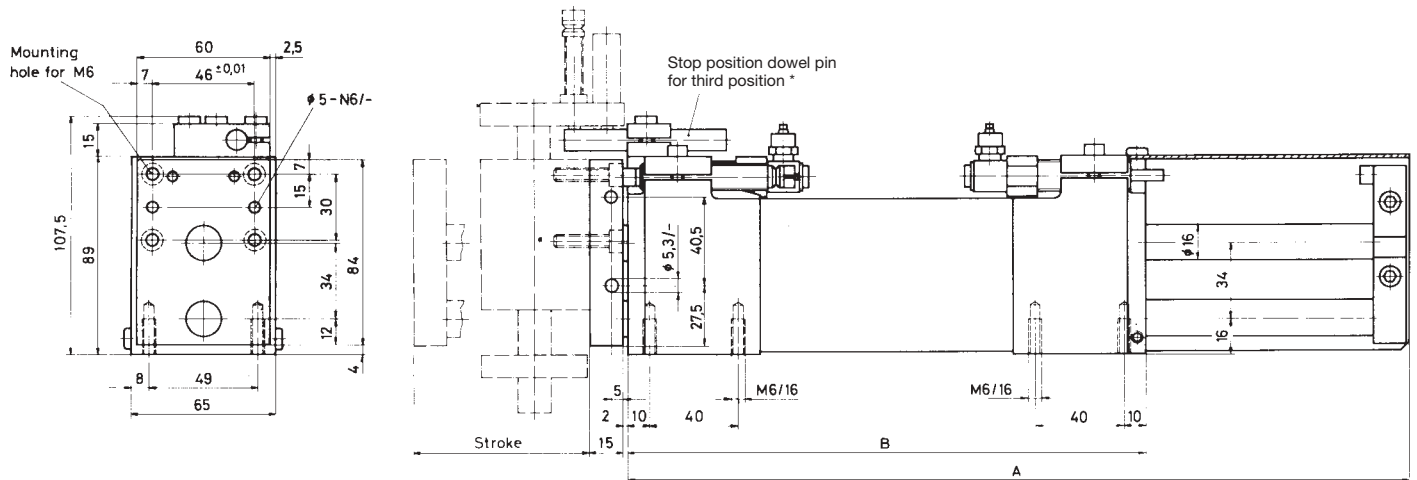
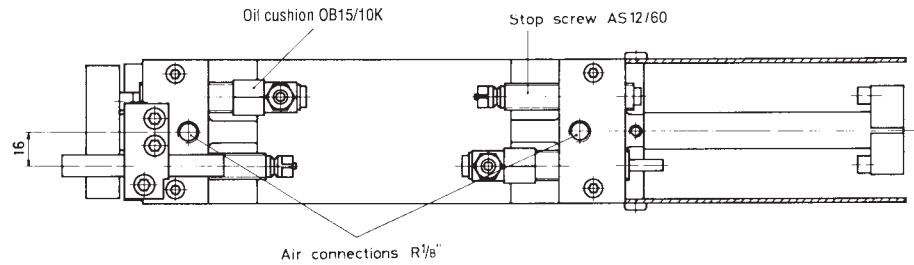
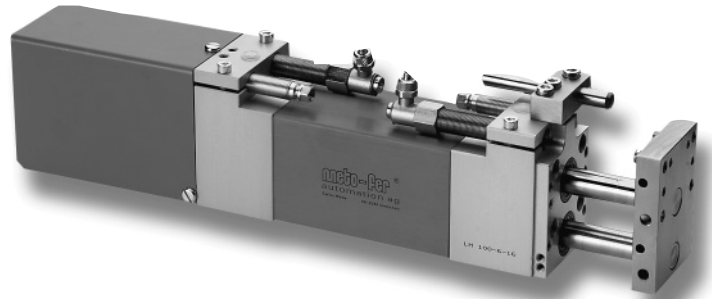


Linear units LH

- Progressive working oil cushions, includes oil reservoir KOB 50 (see sheet 6.001)
- Patented stop screws with sensing device
- High repeat accuracy
- Many combination possibilities
- Third position stop dowel pin for use with vertical unit VE *



| Type | Stroke (mm) | A (mm) | B (mm) | Piston force at 72.5 psi (5 bar) | Max. Load | Air consumption for each double stroke at 72.5 psi (5 bar) | Weight |
|--------|-------------|--------|--------|----------------------------------|-------------------|--|------------------|
| LH 100 | 0–100 | 352 | 234 | 51 lb (226 N) | 61.7 lb (28.0 kg) | .026 scf (0,73 NL) | 11.0 lb (5,0 kg) |
| LH 150 | 0–150 | 452 | 284 | 51 lb (226 N) | 35.3 lb (16.0 kg) | .038 scf (1,09 NL) | 12.8 lb (5,8 kg) |
| LH 200 | 0–200 | 552 | 334 | 51 lb (226 N) | 19.8 lb (9.0 kg) | .051 scf (1,45 NL) | 14.6 lb (6,6 kg) |
| LH 300 | 0–300 | 752 | 434 | 51 lb (226 N) | 9.9 lb (4,5 kg) | .077 scf (2,18 NL) | 18.1 lb (8,2 kg) |
| LH 400 | 0–400 | 952 | 534 | 51 lb (226 N) | 6.6 lb (3,0 kg) | .102 scf (2,90 NL) | 21.6 lb (9,8 kg) |

Technical data:

- Stroke steplessly adjusted by built in patented stop screws with fine threads.
- The stop screws can be fitted with patented sensing elements. (see section "Stop Screws with plug-in sensing elements").
- End position damped with adjustable oil cushions.
- Designed for high operating rates / long life (expected life 20 million cycles)
- Seal repair kits available
- Linear ball bushings.
- Operating medium
- Operating pressure
- Repeatability
- Air connection

Compressed air oiled / not oiled
43.5 – 116 psi (3 – 8 bar)
± 0.01mm (0.0004")
R 1/8" (adapter see sheet 5.032)

Order No. LH -

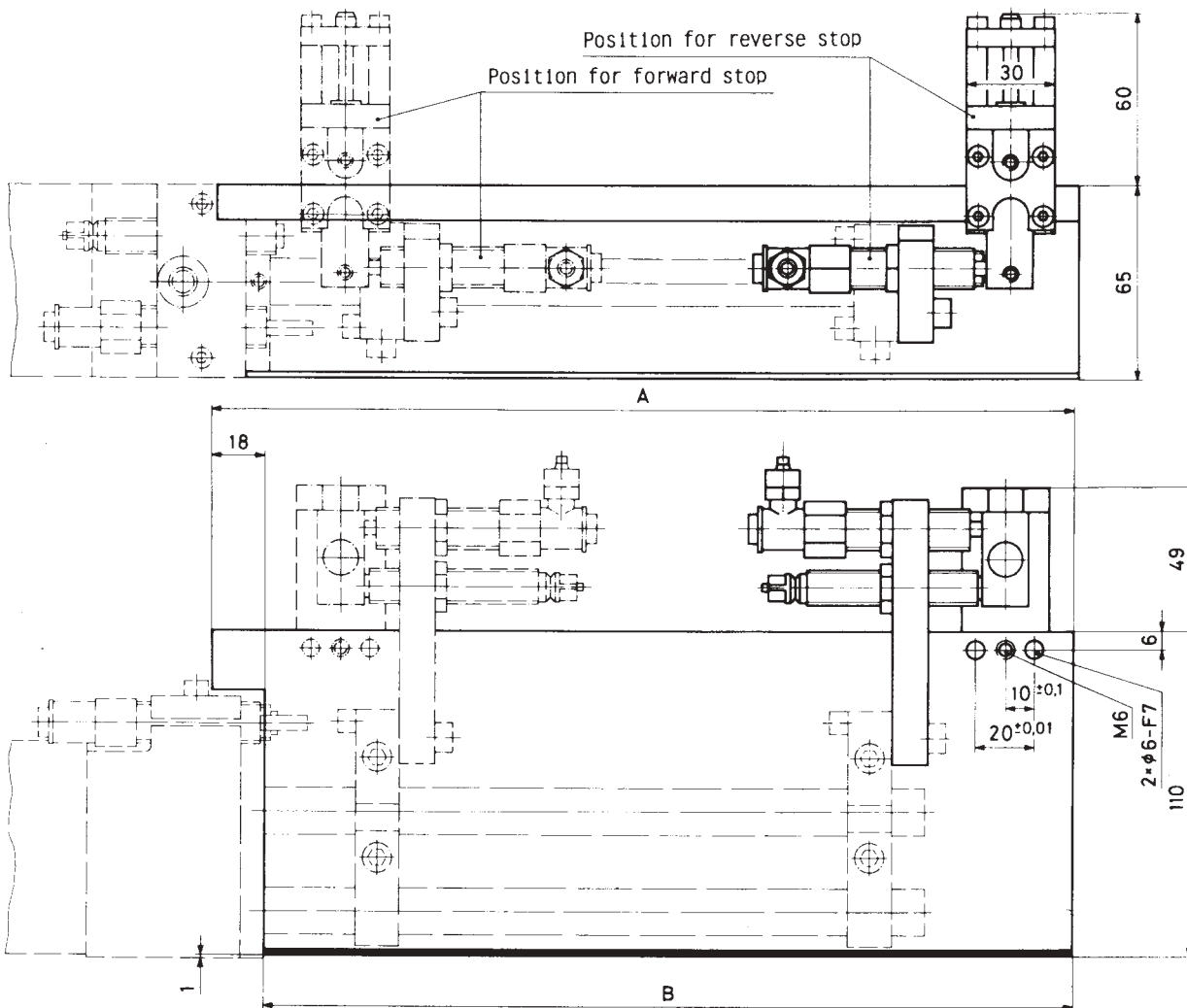
O=Without cushions
A=Elastomer cushions (KB08)
B=Oil cushions and KOB50 (OB15/10K)
Stroke / mm

Intermediate position kit for LH

Description:

The intermediate stop operates via a cylinder introducing a robust stop slide into the path of the horizontal units rear adjustable flange bracket to that is attached the stop screw and oil cushions. This stop assembly can be reversed to operate in either the forward or reverse mode. More than one intermediate stop may be fitted, minimum distance between them 30 mm. They must all operate in the same direction.

The intermediate position can be utilized both in forward or reverse modes.



| Intermediate kit complete for: | A (mm) | B (mm) | Intermediate kit with *SA 01 Order No. | Intermediate kit with *SA 01 A Order No. |
|--------------------------------|--------|--------|--|--|
| LH 100 | 193 | 175 | ZB 03.040 | ZB 03.040 A |
| LH 150 | 243 | 225 | ZB 03.035 | ZB 03.035 A |
| LH 200 | 293 | 275 | ZB 03.045 | ZB 03.045 A |
| LH 300 | 393 | 375 | ZB 03.050 | ZB 03.050 A |
| LH 400 | 493 | 475 | ZB 03.055 | ZB 03.055 A |

* SA... = Stop slide see page 1.071